

DLC Technology

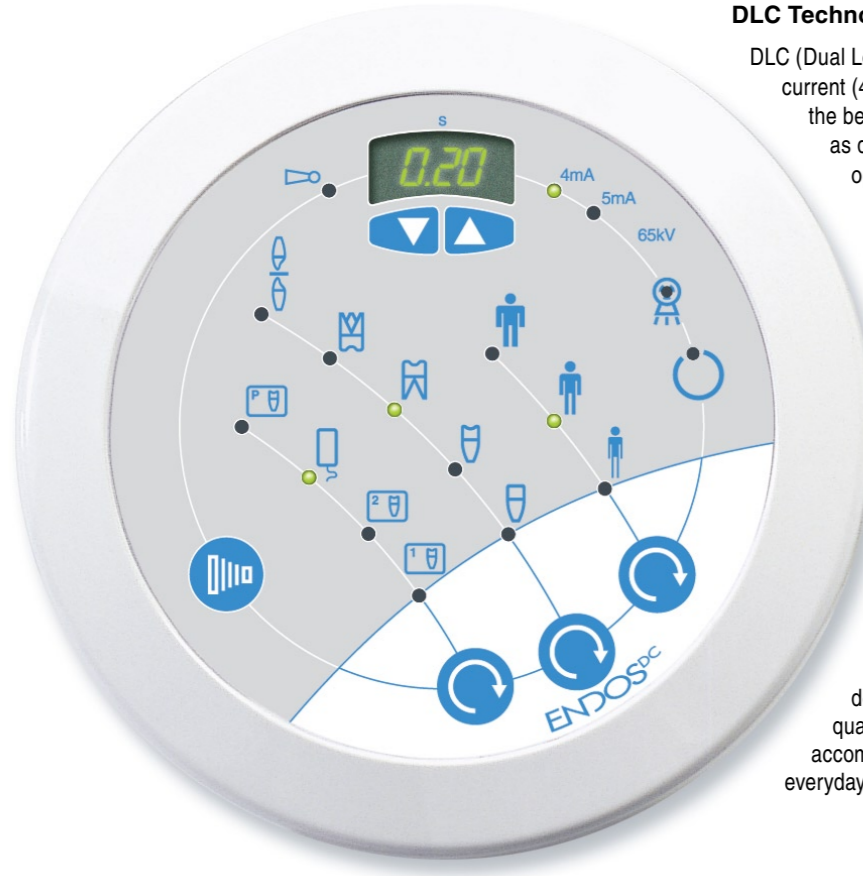
DLC (Dual Low Current) technology sets the best exposure current (4 or 5 mA) according to the type of receptor to get the best image quality with both digital sensors, as well as dental X-ray films. The low current values have been optimized to take advantage of the very high sensitivity of both digital sensors and new fast films.

Optimized Parameters

The DC generator operates at 65kV, offering both depth of gray scale and contrast in small details. Four different types of receptors may be chosen: standard or new high speed films, digital sensors and a fully user-programmable modality. Thanks to pre-programmed anatomic techniques, the choice of the diagnostic target is easily achieved in two quick steps. Choose the size of the patient from the three available and the dentition area to be examined. That's all.

New arm

Much attention has been paid to the finest details in designing the Endos aluminum arm reflecting both its quality and craftsmanship. The ease of positioning perfectly accompanies its stability, providing the best effectiveness in everyday use.



Competence in dental systems

Dent-X is a major U.S. manufacturer and distributor of analog and digital dental systems offering a wide range of products globally.

A wide range of equipment

- Digital imaging systems
- Intraoral X-ray systems
- Panoramic and Cephalometric X-ray systems
- Mobile X-ray units
- Dental X-ray film processors
- Intraoral cameras
- Dental processing chemistries

Our priority: technical service

A staff of highly skilled service engineers ensures effective and reliable support of all Dent-X equipment installed worldwide. Preventive maintenance programs and Service Contracts are adapted to the needs of our customers.

Logistic services: a widespread presence

Systems, spare parts, accessories and consumables are shipped daily by Dent-X to all customers worldwide.



Products are continuously under review in the spirit of technical advancement. Actual specifications are subject to improvement or modification without notice. All rights reserved - Printed in U.S.A. - 2003

D L C
DLC



Intra-oral X-ray unit with HF generator

ENDOS^{DC}

**Endos DC
Efficiency
included.**

With the full line of Endos intraoral X-ray units, everything has been designed to maximize operating efficiency while allowing the dentist to concentrate on diagnosis and treatment.

Constant Potential DC Technology

A new constant potential, very high frequency (100kHz) generator ensures the highest radiation stability with unparalleled accuracy. The DC technology completely eliminates non-diagnostic "soft radiation". The result is a reduction in patient dose of 25% compared to conventional generators.

Moreover, this technology has allowed engineers to design an exceptionally lightweight and compact tubehead (as short as 27cm) to provide maximum ease of positioning. The duty cycle ratio (waiting time between exposures) is 1:16. After a typical .2 second exposure, the wait time for the next exposure would only be 3.2 seconds. Once again, this translates into high efficiency when several images are needed in a sequence.

Quality of details

The X-ray push button has been carefully thought out to provide the best grip and ergonomics. The coil cord (extendable to 10 ft / 3m) is crafted to retain its shape and withstand years of rugged use.

Hygiene

All materials have a glossy finish and have been chosen for quick and easy cleaning to maintain the hygiene of your working environment, and to provide years of lasting durability.

Flexibility

To adapt to every installation condition, Endos DC can be configured with a remote keyboard that allows you to set all the system parameters outside the examination room.

Accessories

30cm Extension Cone
This extends the source to skin distance to 30cm to facilitate paralleling technique. A command on the keyboard will automatically adjust the exposure times for the extended cone.

35x45mm Collimator
The 35x45mm collimator is used to limit the irradiated area, thus reducing patient dose and minimizing scatter radiation.

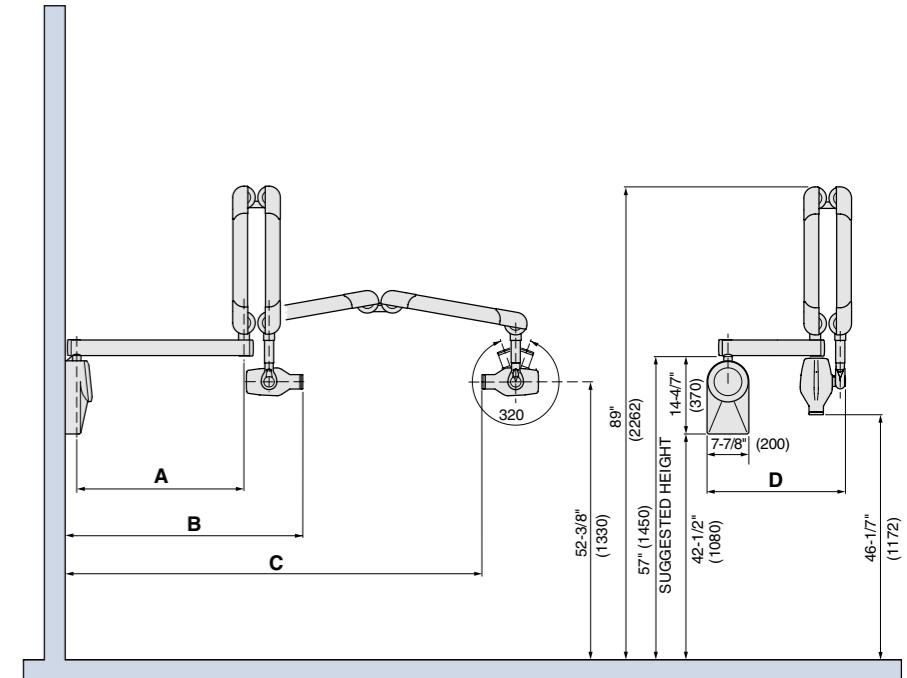
Mobile Stand
An optional mobile stand is precisely balanced for safe, quick transport and convenience.

Energetic Efficiency

Endos DC has been designed in conformity to current international standards, such as the European CE mark for Medical Devices to minimize electromagnetic pollution. In addition, it is already compliant to the forthcoming International directives concerning mains fluctuations.

Safety

Endos DC incorporates advanced self-diagnostics which alert the operator to any problems that may arise. A special safety device eliminates the risk of unintended exposures while inhibiting the X-ray push button when the unit is not in use.



Dimensional Data		
TOTAL REACH (B)		
Extension arm A = 11-13/16" (30cm)	25"	(63.5 cm)
Extension arm A = 23-5/8" (60cm)	36-13/16"	(93.5 cm)
Extension arm A = 31-1/2" (80cm)	44-11/16"	(113.5 cm)
TOTAL INSIDE REACH (C)		
Extension arm A = 11-13/16" (30cm)	58-7/8"	(149.5 cm)
Extension arm A = 23-5/8" (60cm)	70-11/16"	(179.5 cm)
Extension arm A = 31-1/2" (80cm)	78-1/2"	(199.5 cm)

Product Data	
Power supply	220/230/240V ±10% 50/60 Hz 110/120V ±10% 50/60 Hz
X-ray tube	Constant potential DC 65 kV, 4 e 5 mA
Focus spot	0.7 mm IEC 336
Focus to skin distance	20cm (7-7/8") standard 30cm (11-13/16") with optional collimator cone extension
X-ray field (at collimator tip)	Diameter 60mm (2-3/8") 35x45mm (1-3/8"x1-3/4") with optional diaphragm
Duty cycle	1:16
Exposure times	0.01 to 2s in 34 steps
Anatomic programs	60 pre-set times
Shipping weight	102 Lbs (38 Kg)
Warranty	2 year limited

