



# SPYDERTRAY

## Table of Contents

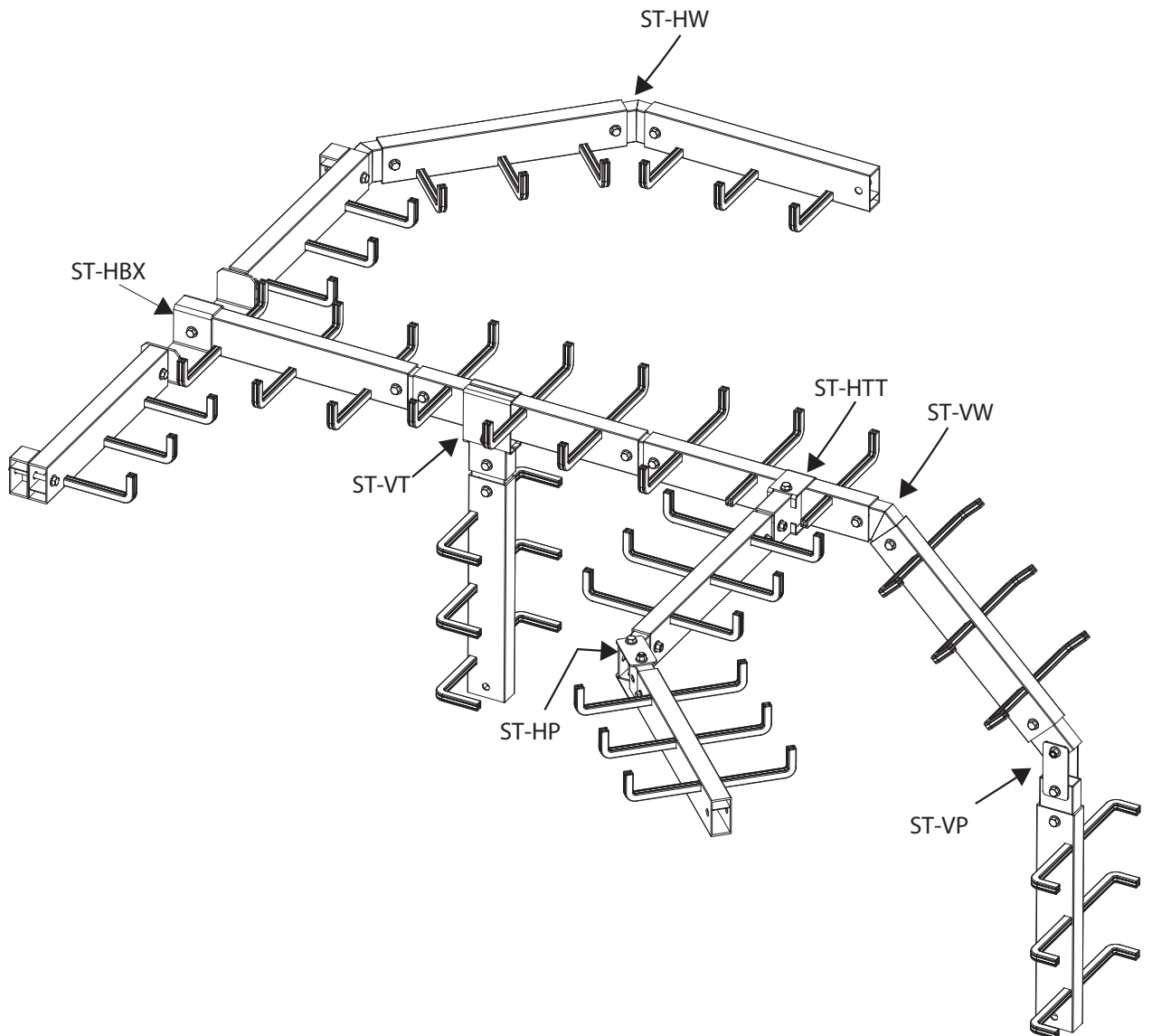
Features and Specifications .....37

Straight Lengths .....38-41

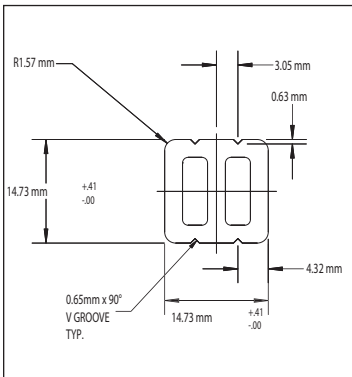
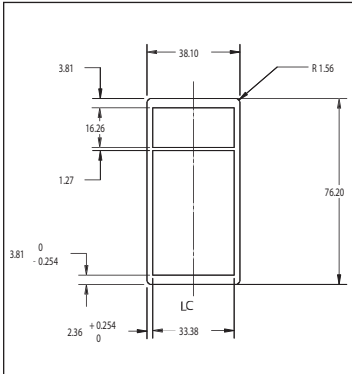
Splice Connectors .....42

Angle Connectors .....43-44

Misc. Connectors & Accessories .....45-48



# SPYDERTRAY FEATURES AND SPECIFICATIONS



- ◆ SPYDERTRAY is a lightweight, high strength and corrosion resistant alternative to ladder tray installations.
- ◆ Suspended from a single point and requiring only one splice connector per length SPYDERTRAY is FAST to install. This can result in substantial labour cost savings.
- ◆ The SPYDERTRAY system offers great flexibility with a reduced number of core fittings allowing maximum job site versatility.
- ◆ Cables are layered on both sides, offering continuous, unobstructed access to the tray from either side of the center spine member. Very accommodating for future expansion.
- ◆ SPYDERTRAY spine is made from high quality aluminum extrusion 6005A T6 which is pre-punched to allow for inserted rungs.

## Standard Rung Widths

|    |   |       |       |
|----|---|-------|-------|
| 07 | = | 7.5cm | (3")  |
| 15 | = | 15cm  | (6")  |
| 22 | = | 22cm  | (9")  |
| 30 | = | 30cm  | (12") |
| 45 | = | 45cm  | (18") |
| 60 | = | 60cm  | (24") |

## Standard Rung Spacing

|    |   |       |       |
|----|---|-------|-------|
| 07 | = | 7.5cm | (3")  |
| 15 | = | 15cm  | (6")  |
| 22 | = | 22cm  | (9")  |
| 30 | = | 30cm  | (12") |
| 45 | = | 45cm  | (18") |
| 60 | = | 60cm  | (24") |

## Standard Rung Depth

|    |   |       |      |
|----|---|-------|------|
| 07 | = | 7.5cm | (3") |
| 10 | = | 10cm  | (4") |
| 15 | = | 15cm  | (6") |

- ◆ Standard Length – 3meters.
- ◆ SPYDERTRAY rungs are factory installed at right angles along the spine and bent upwards at 90 degrees to form the cable supports. Material is extruded 6063 T6 aluminum.
- ◆ SPYDERTRAY is dual-rated to meet both CSA Class C1 and D1 specifications. This allows you to stock one inventory for both applications
- ◆ SPYDERTRAY is manufactured locally at Code Manufacturing's Coquitlam plant. Local product allows fast delivery to site.

### Load / Span Class designation (CSA C22.2 #126-M 1999)

| Load kg /m (lb/ft) | Span, m (ft) |         |         |         |         |
|--------------------|--------------|---------|---------|---------|---------|
|                    | 2.4(8)       | 3.0(10) | 3.7(12) | 4.9(16) | 6.0(20) |
| 37 (25)            |              | A       |         |         |         |
| 67 (45)            |              |         |         |         | D       |
| 74 (50)            | 8A           |         | 12A     | 16A     | 20A     |
| 97 (65)            |              | C       |         |         |         |
| 112 (75)           | 8B           |         | 12B     | 16B     | E       |
| 149 (100)          | 8C           |         | 12C     | 16C     | 20C     |
| 179 (120)          |              | D       |         |         |         |
| 299 (200)          |              | E       |         |         |         |

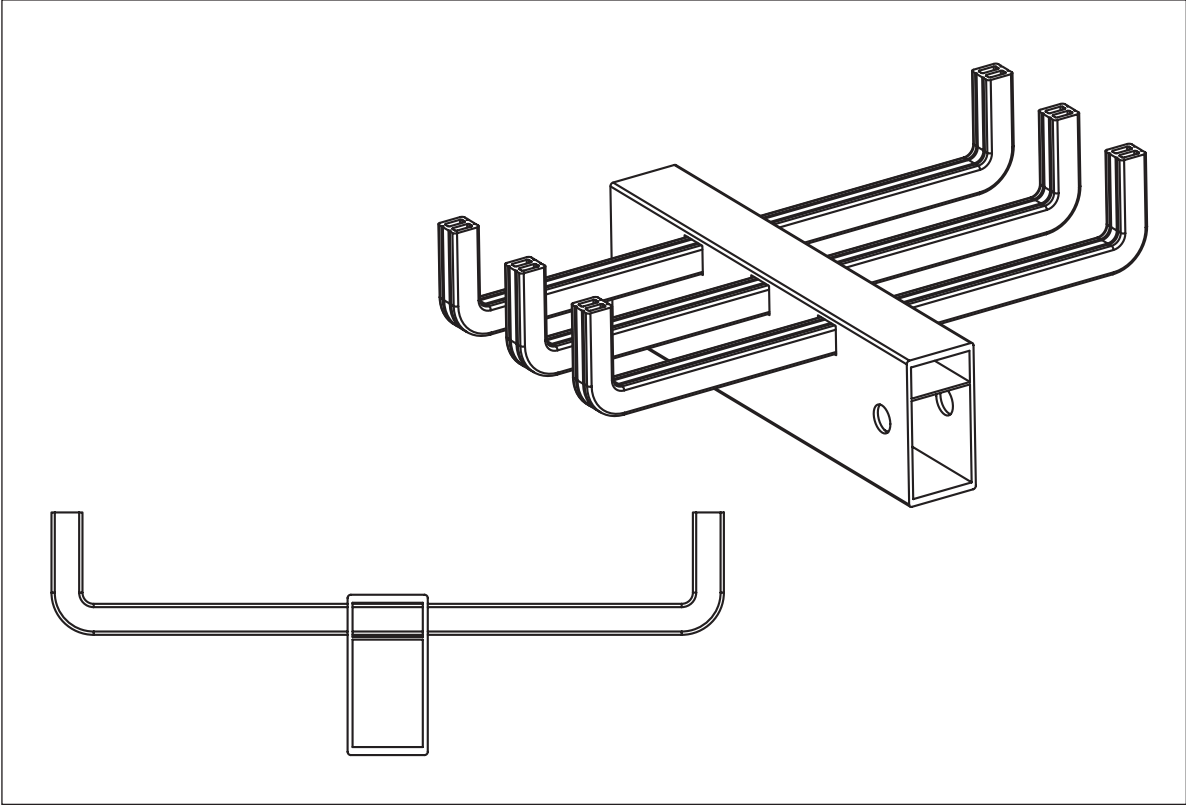
**Note:** 8A /B/C, 12A/B/C, 16A/B/C AND 20A/B/C are the traditional NEMA designations. A,C,D, and E are the conventional CSA designations.



**SPYDERLOK**

**WARNING!** Do not use as a walkway, ladder or support for personnel. Use only as a mechanical support for cables, tubing and raceways.

## CENTER MOUNT TOP RUNG



**CSA Class C1 & D1 – Spine Length 3m (10 feet)**

**Spyder Tray – CENTER MOUNT TOP RUNG Straight Section Part Numbering**  
 Example Part Number: **ST-CT07-07-15**

| ST<br>TYPE  | CT07<br>STYLE / RUNG DEPTH | 07<br>RUNG SPACING (cm) | 15<br>RUNG WIDTH (cm)   |
|-------------|----------------------------|-------------------------|-------------------------|
| SPYDER TRAY | C = Center Mount           | 07 = 7.5cm (3 inches)   | 15 = 15cm (6 inches)    |
|             | T = Top Rung               | 15 = 15cm (6 inches)    | 22 = 22.5 cm (9 inches) |
|             | 07 = 7.5cm (3 inches)      | 22 = 22.5cm (9 inches)  | 30 - 30cm (12 inches)   |
|             | 10 - 10cm (4 inches)       | 30 = 30cm (12 inches)   | 45 = 45cm (18 inches)   |
|             | 15 = 15cm (6 inches)       | 45 = 45cm (18 inches)   | 60 = 60cm (24 inches)   |
|             |                            | 60 = 60cm (24 inches)   |                         |

All SPYDERTRAY rungs are inserted directly through the spine material and crimp locked in place for a secure, trouble free fit. No moving parts to wear out or vibrate loose under stress.

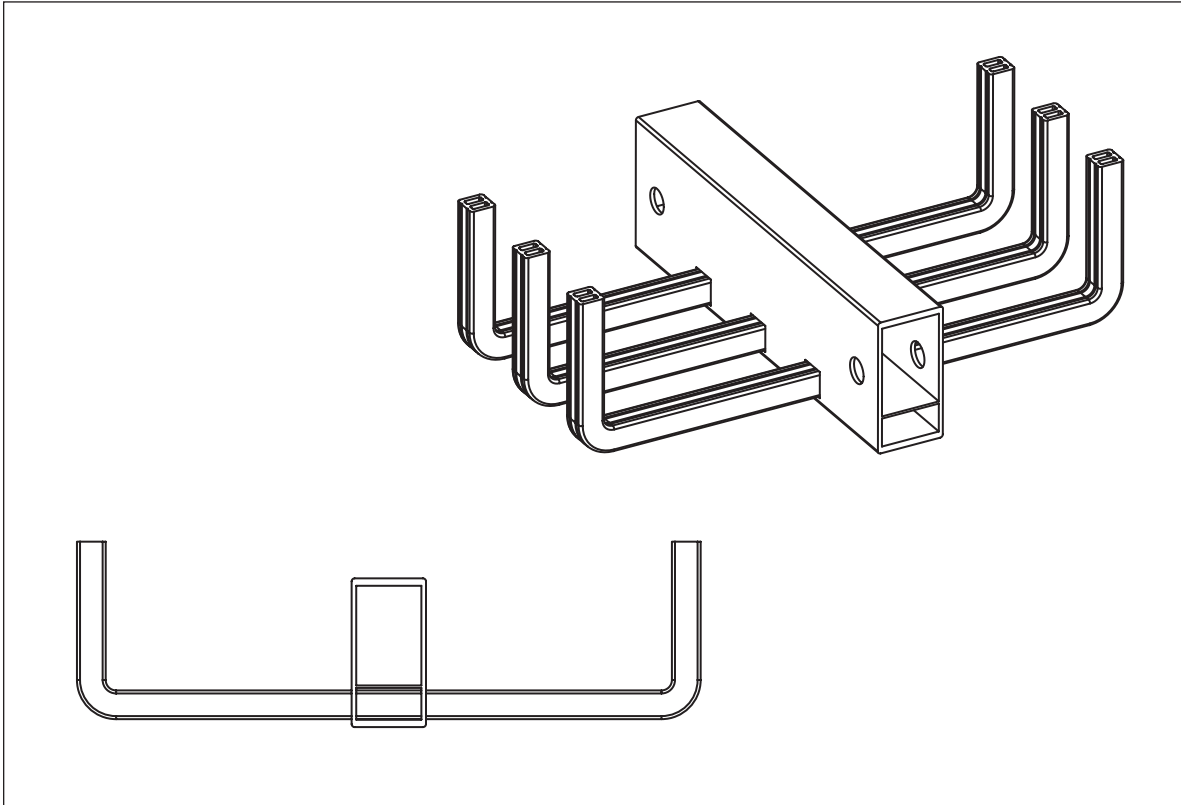
CENTER MOUNT TOP RUNG tray offers the full tray width available for cables. Sides are open allowing additional cables to be added easily for trouble free expansion.

\*\*All accessories and fittings for CENTER MOUNT TOP RUNG tray must either be UNIVERSAL fittings or specific TOP RUNG/BOTTOM RUNG fittings. See fittings and accessories for more detail.

Contact Factory for Custom Lengths and Widths.



# CENTER MOUNT BOTTOM RUNG



**CSA Class C1 & D1 – Spine Length 3m (10 feet)**

## Spyder Tray – CENTER MOUNT BOTTOM RUNG Straight Section Part Numbering

Example Part Number: **ST-CB07-07-15**

| ST<br>TYPE  | CB07<br>STYLE / RUNG DEPTH | 07<br>RUNG SPACING (cm) | 15<br>RUNG WIDTH (cm)   |
|-------------|----------------------------|-------------------------|-------------------------|
| SPYDER TRAY | C = Center Mount           | 07 = 7.5cm (3 inches)   | 15 = 15cm (6 inches)    |
|             | B = Bottom Rung            | 15 = 15cm (6 inches)    | 22 = 22.5 cm (9 inches) |
|             | 07 = 7.5cm (3 inches)      | 22 = 22.5cm (9 inches)  | 30 - 30cm (12 inches)   |
|             | 10 - 10cm (4 inches)       | 30 = 30cm (12 inches)   | 45 = 45cm (18 inches)   |
|             | 15 = 15cm (6 inches)       | 45 = 45cm (18 inches)   | 60 = 60cm (24 inches)   |
|             |                            | 60 = 60cm (24 inches)   |                         |

All SPYDERTRAY rungs are inserted directly through the spine material and crimp locked in place for a secure, trouble free fit. No moving parts to wear out or vibrate loose under stress.

CENTER MOUNT BOTTOM RUNG tray offers the convenience of using the spine as a built in cable divider. Sides are open allowing additional cables to be added easily for trouble free expansion.

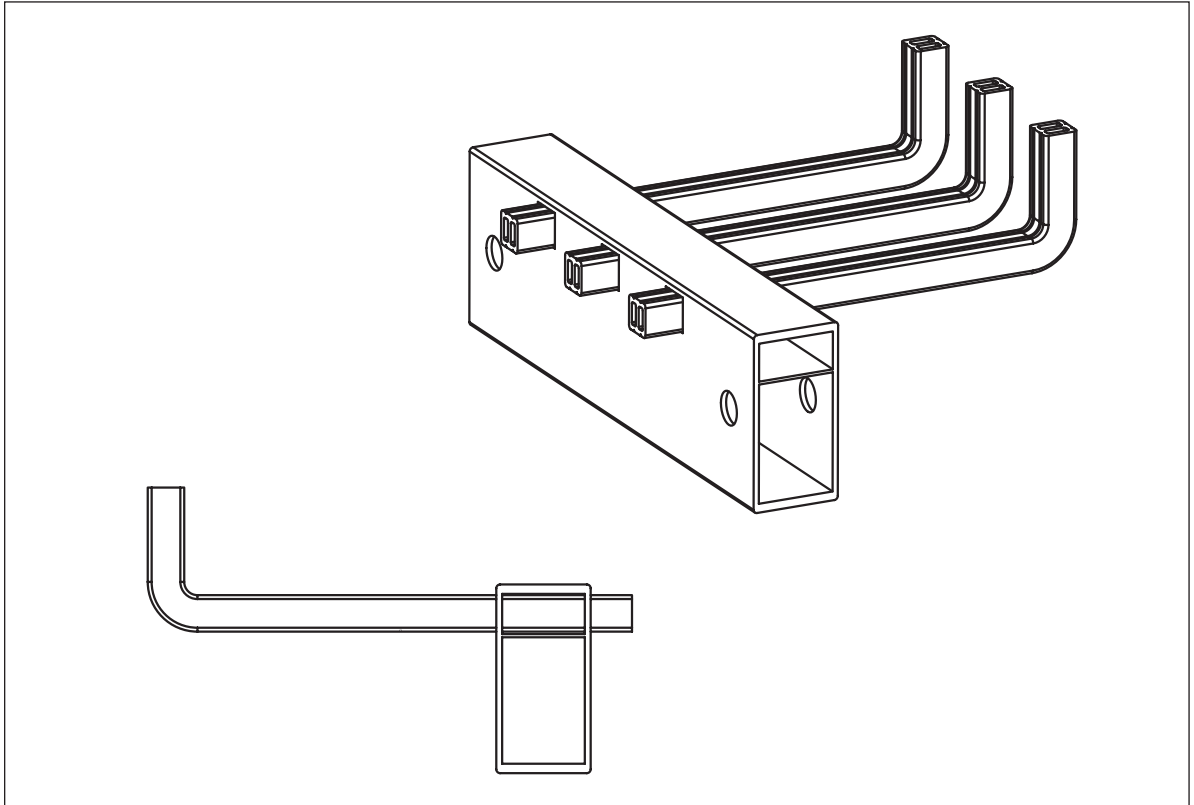
**\*\*All accessories and fittings for CENTER MOUNT BOTTOM RUNG tray must be specific BOTTOM RUNG fittings. See fittings and accessories for more detail.**

Contact Factory for Custom Lengths and Widths.





## WALL MOUNT TOP RUNG



**CSA Class C1 & D1 – Spine Length 3m (10 feet)**

### Spyder Tray – WALL MOUNT TOP RUNG Straight Section Part Numbering

Example Part Number: **ST-WT07-07-15**

| ST          | WT07                  | 07                     | 15                      |
|-------------|-----------------------|------------------------|-------------------------|
| TYPE        | STYLE / RUNG DEPTH    | RUNG SPACING (cm)      | RUNG WIDTH (cm)         |
| SPYDER TRAY | W = Wall Mount        | 07 = 7.5cm (3 inches)  | 15 = 15cm (6 inches)    |
|             | T = Top Rung          | 15 = 15cm (6 inches)   | 22 = 22.5 cm (9 inches) |
|             | 07 = 7.5cm (3 inches) | 22 = 22.5cm (9 inches) | 30 - 30cm (12 inches)   |
|             | 10 - 10cm (4 inches)  | 30 = 30cm (12 inches)  | 45 = 45cm (18 inches)   |
|             | 15 = 15cm (6 inches)  | 45 = 45cm (18 inches)  | 60 = 60cm (24 inches)   |
|             |                       | 60 = 60cm (24 inches)  |                         |

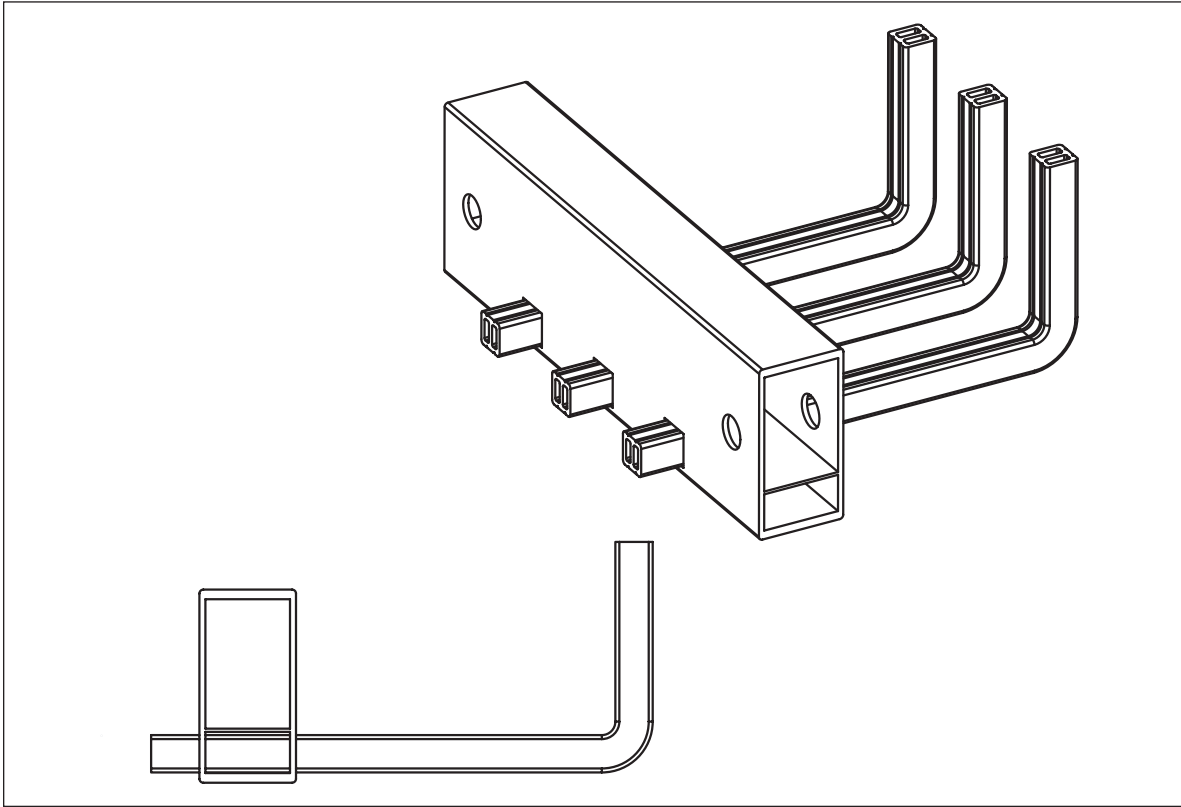
All SPYDERTRAY rungs are inserted directly through the spine material and crimp locked in place for a secure, trouble free fit. No moving parts to wear out or vibrate loose under stress.

WALL MOUNT TOP RUNG tray offers the full tray width available for cables. Sides are open allowing additional cables to be added easily for trouble free expansion.

\*\*All accessories and fittings for WALL MOUNT TOP RUNG tray must either be UNIVERSAL fittings or specific TOP RUNG/BOTTOM RUNG fittings. See fittings and accessories for more detail.

Contact Factory for Custom Lengths and Widths.

# WALL MOUNT BOTTOM RUNG



**CSA Class C1 & D1 – Spine Length 3m (10 feet)**

## Spyder Tray – WALL MOUNT BOTTOM RUNG Straight Section Part Numbering

Example Part Number: **ST-WB07-07-15**

| ST          | WB07                  | 07                     | 15                      |
|-------------|-----------------------|------------------------|-------------------------|
| TYPE        | STYLE / RUNG DEPTH    | RUNG SPACING (cm)      | RUNG WIDTH (cm)         |
| SPYDER TRAY | W = Wall Mount        | 07 = 7.5cm (3 inches)  | 15 = 15cm (6 inches)    |
|             | B = Bottom Rung       | 15 = 15cm (6 inches)   | 22 = 22.5 cm (9 inches) |
|             | 07 = 7.5cm (3 inches) | 22 = 22.5cm (9 inches) | 30 - 30cm (12 inches)   |
|             | 10 - 10cm (4 inches)  | 30 = 30cm (12 inches)  | 45 = 45cm (18 inches)   |
|             | 15 = 15cm (6 inches)  | 45 = 45cm (18 inches)  | 60 = 60cm (24 inches)   |
|             |                       | 60 = 60cm (24 inches)  |                         |

All SPYDERTRAY rungs are inserted directly through the spine material and crimp locked in place for a secure, trouble free fit. No moving parts to wear out or vibrate loose under stress.

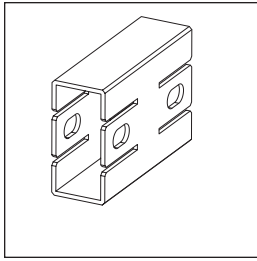
WALL MOUNT BOTTOM RUNG is ideal where suspended mounting is too difficult.

\*\*All accessories and fittings for WALL MOUNT BOTTOM RUNG tray must either be UNIVERSAL fittings or specific TOP RUNG/BOTTOM RUNG fittings. See fittings and accessories for more detail.

Contact Factory for Custom Lengths and Widths.



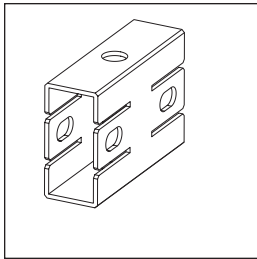
# SPLICE PLATES (TOP or BOTTOM rung)



**ST-SC**

**SPLICE CONNECTOR**

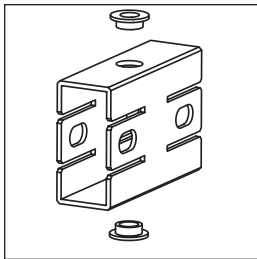
Basic Splice connector. Used primarily for wall or floor mounted installations because it is lacking the pre-drilled top hole.



**ST-SCT**

**SPLICE CONNECTOR with TOP HOLE**

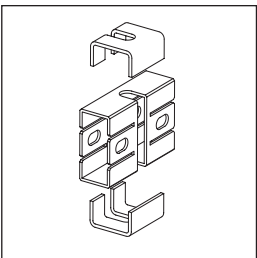
The most common Splice connector. Comes pre-drilled with a vertical 9/16" hole to accommodate 1/2" threaded rod. Always leave 1" threaded rod to allow for future expansion with the addition of multiple levels of SPYDERTRAY.



**ST-SCB**

**SPLICE CONNECTOR with BUSHING**

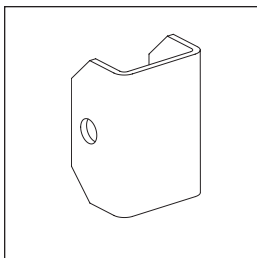
Same as to the ST-SCT with the addition of a nylon bushing to allow for systems using dissimilar metals or applications that need to be electrically isolated from the support system.



**ST-SCR**

**SPLICE CONNECTOR with RETROFIT**

A three piece RETRO fit connector allows additional runs to be added to an existing threaded rod suspension system. Fits around the existing threaded rod and is secured into place using two threaded split nuts (included).



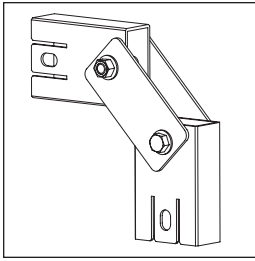
**ST-SCE**

**SPLICE CONNECTOR END CAP**

Close up the end of the spine with this simple end cap.



# ANGLE CONNECTORS

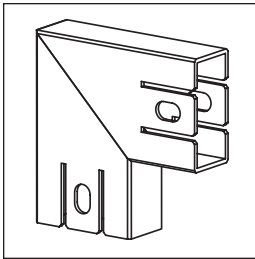


**ST-VP**

**VERTICAL PIVOT SPLICE  
(TOP or BOTTOM RUNG)**

Our most common vertical fitting allows the installer to change course to any vertical angle quickly and inexpensively.

Must be installed from the end of a run only. Use a VERTICAL TEE (ST-VT) to drop down mid-span.



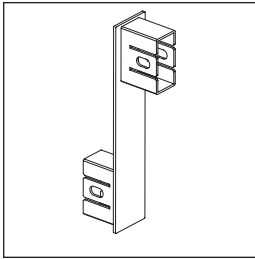
**ST-VW(A)**

**VERTICAL WELDED SPLICE  
(TOP or BOTTOM RUNG)**

An option to the ST-VP. Specific angle fittings are available in four standard radii as well as common angles.

Specify Angle – 30° / 45° / 60° / 90°  
Custom dimensions also available.

- ST-VW30 (12")
- ST-VW45 (18")
- ST-VW60 (24")
- ST-VW90 (30")



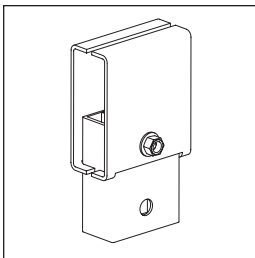
**ST-VOFF(L)**

**VERTICAL OFFSET  
(TOP or BOTTOM RUNG)**

Used to drop a tray run down around an obstacle. Custom length determined by end user.

Specify length of offset required – 30 / 45 / 60  
Custom dimensions also available.

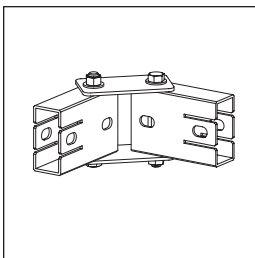
- ST-VOFF30 (12")
- ST-VOFF45 (18")
- ST-VOFF60 (24")



**ST-VT**

**VERTICAL TEE SPLICE  
(TOP or BOTTOM RUNG)**

Allows the installer to drop a run straight down from a horizontal run. This differs from the VCONN-PIVOT because it can be used mid-span.

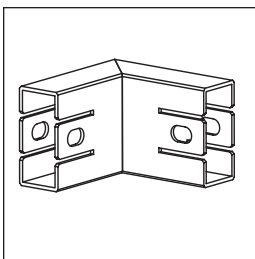


**ST-HP**

**HORIZONTAL PIVOT  
(TOP or BOTTOM RUNG)**

Our most common HORIZONTAL fitting allows the installer to change course to any horizontal angle quickly and inexpensively.

Must be installed from the end of a run only. Use a HORIZONTAL TEE (ST-HBT or ST-HTT) to drop down mid-span.



**ST-HW(A)**

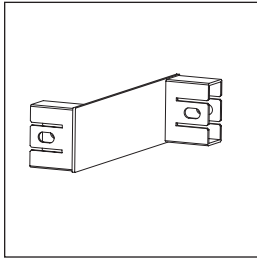
**WELDED HORIZONTAL SPLICE  
(TOP or BOTTOM RUNG)**

Specific angle fittings are available in four radii.  
Specify angle – 30° / 45° / 60° / 90°  
Custom dimensions also available.

- ST-HW30 (12")
- ST-HW45 (18")
- ST-HW60 (24")
- ST-HW90 (30")



# ANGLE CONNECTORS



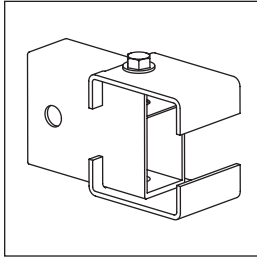
**ST-HOFF(Length)**

Used to move a run around an obstacle or to switch from WALL mount to CENTER mount. Custom length determined by end user.

Specify length of offset required – 30 / 45 / 60  
Custom dimensions also available.

**HORIZONTAL OFFSET  
(TOP or BOTTOM RUNG)**

ST-HOFF30 (12")  
ST-HOFF45 (18")  
ST-HOFF60 (24")



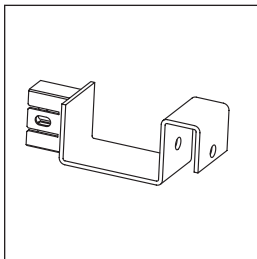
**ST-HTT(Width)**

Add a 90° run from any point along an existing line.

Specify width of tray run – 15 / 22 / 30 / 45 / 60

**HORIZONTAL TEE CONNECTOR  
(TOP RUNG ONLY)**

ST-HTT15 (6")  
ST-HTT22 (9")  
ST-HTT30 (12")  
ST-HTT45 (18")  
ST-HTT60 (24")



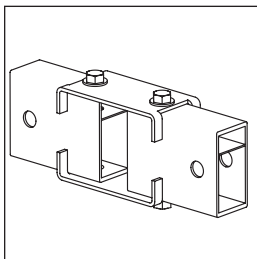
**ST-HBT(Width)**

Add a 90° run from any point along an existing line.

Specify width of tray run – 15 / 22 / 30 / 45 / 60

**HORIZONTAL TEE CONNECTOR )  
(BOTTOM RUNG ONLY)**

ST-HTT15 (6")  
ST-HTT22 (9")  
ST-HTT30 (12")  
ST-HTT45 (18")  
ST-HTT60 (24")



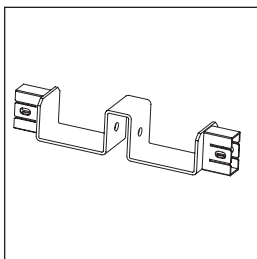
**ST-HTX(W)**

Add two opposing 90° runs from any point along an existing line.

Specify width of tray run – 15 / 22 / 30 / 45 / 60

**HORIZONTAL CROSS CONNECTOR  
(TOP RUNG ONLY)**

ST-HTX15 (6")  
ST-HTX22 (9")  
ST-HTX30 (12")  
ST-HTX45 (18")  
ST-HTX60 (24")



**ST-HBX(W)**

Add two opposing 90° runs from any point along an existing line.

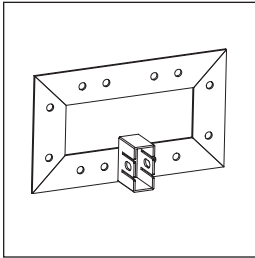
Specify width of tray run – 15 / 22 / 30 / 45 / 60

**HORIZONTAL CROSS CONNECTOR  
(BOTTOM RUNG ONLY)**

ST-HBX15 (6")  
ST-HBX22 (9")  
ST-HBX30 (12")  
ST-HBX45 (18")  
ST-HBX60 (24")



# MISCELLANEOUS CONNECTORS



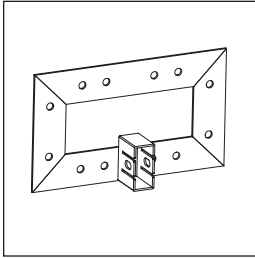
## ST-BT(Depth)-(Width)

Connect your SPYDERTRAY run with an enclosure.

Specify width of tray run – 15 / 22 / 30 / 45 / 60  
 Specify depth of tray run – 07 / 10 / 15  
 Custom dimensions also available.

## BOX CONNECTOR (TOP RUNG ONLY)

ST-BT07-15 (3"x6")  
 ST-BT07-22 (3"x9")  
 ST-BT07-30 (3"x12")  
 ST-BT07-45 (3"x18")  
 ST-BT07-60 (3"x24")



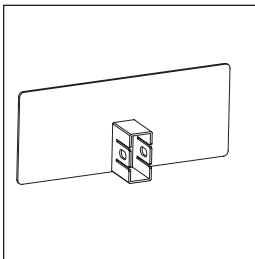
## ST-BB(Depth)-(Width)

Connect your SPYDERTRAY run with an enclosure.

Specify width of tray run – 15 / 22 / 30 / 45 / 60  
 Specify depth of tray run – 07 / 10 / 15  
 Custom dimensions also available.

## BOX CONNECTOR (BOTTOM RUNG ONLY)

ST-BB07-15 (3"x6")  
 ST-BB07-22 (3"x9")  
 ST-BB07-30 (3"x12")  
 ST-BB07-45 (3"x18")  
 ST-BB07-60 (3"x24")



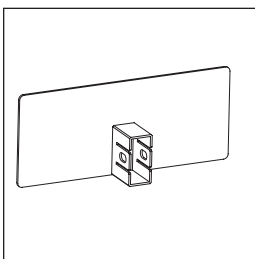
## ST-ET(Depth)-(Width)

Finished a dead end run.

Specify width of tray run – 15 / 22 / 30 / 45 / 60  
 Specify depth of tray run – 07 / 10 / 15  
 Custom dimensions also available.

## DEAD END CONNECTOR (TOP RUNG ONLY)

ST-ET07-15 (3"x6")  
 ST-ET07-22 (3"x9")  
 ST-ET07-30 (3"x12")  
 ST-ET07-45 (3"x18")  
 ST-ET07-60 (3"x24")



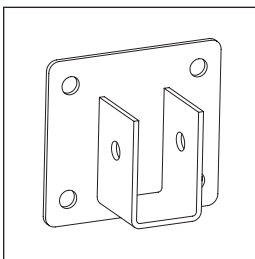
## ST-EB(Depth)-(Width)

Finished a dead end run.

Specify width of tray run – 15 / 22 / 30 / 45 / 60  
 Specify depth of tray run – 07 / 10 / 15  
 Custom dimensions also available.

## DEAD END CONNECTOR (BOTTOM RUNG ONLY)

ST-EB07-15 (3"x6")  
 ST-EB07-22 (3"x9")  
 ST-EB07-30 (3"x12")  
 ST-EB07-45 (3"x18")  
 ST-EB07-60 (3"x24")



## ST-W

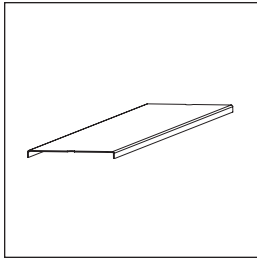
Used to connect a tray run to a wall support.

\*\*Does NOT include screws to fasten bracket to a wall.

## WALL CONNECTOR (TOP or BOTTOM RUNG)



# ACCESSORIES



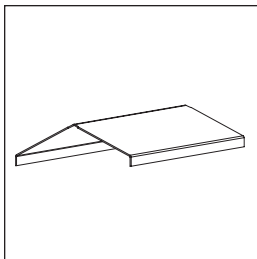
## ST-C(Width)

Flat Aluminum cover is shipped in standard 1.5m (5') lengths.

Specify width of tray run – 15 / 22 / 30 / 45 / 60

## FLAT TRAY COVER (TOP or BOTTOM RUNG)

ST-C15 (6")  
ST-C22 (9")  
ST-C30 (12")  
ST-C45 (18")  
ST-C60 (24")



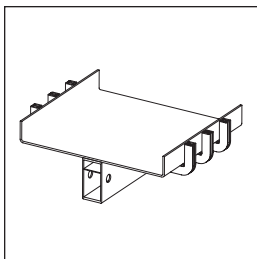
## ST-CP(Width)

Peaked Aluminum cover is shipped in standard 1.5m (5') lengths.

Specify width of tray run – 15 / 22 / 30 / 45 / 60

## PEAKED TRAY COVER (TOP or BOTTOM RUNG)

ST-CP15 (6")  
ST-CP22 (9")  
ST-CP30 (12")  
ST-CP45 (18")  
ST-CP60 (24")



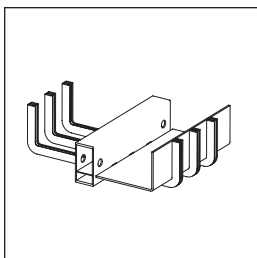
## ST-CBT(Width)

Aluminum Bottom cover is shipped in standard 1.5m (5') lengths.

Specify width of tray run – 15 / 22 / 30 / 45 / 60

## BOTTOM TRAY COVER (TOP RUNG ONLY)

ST-CBT15 (6")  
ST-CBT22 (9")  
ST-CBT30 (12")  
ST-CBT45 (18")  
ST-CBT60 (24")



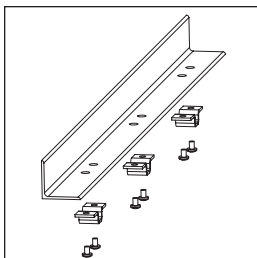
## ST-CBB(Width)

Aluminum Bottom cover is shipped in standard 1.5m (5') lengths.

Specify width of tray run – 15 / 22 / 30 / 45 / 60

## BOTTOM TRAY COVER (BOTTOM RUNG ONLY)

ST-CBB15 (6")  
ST-CBB22 (9")  
ST-CBB30 (12")  
ST-CBB45 (18")  
ST-CBB60 (24")



## ST-BS(Depth)

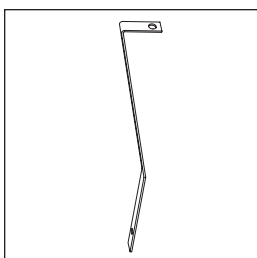
Aluminum Barrier Strip is shipped in standard 1.5m (5') lengths. Specify the DEPTH required.

Specify depth of tray run – 07 / 10 / 15

Custom dimensions also available.

## BARRIER STRIP (TOP or BOTTOM RUNG)

ST-BS07 (3")  
ST-BS10 (4")  
ST-BS15 (6")



## ST-SB(Length)

Used to control eccentric loading. Specify Length of bar required.

Specify length of bar – 30 / 45 / 60 / 75 / 90

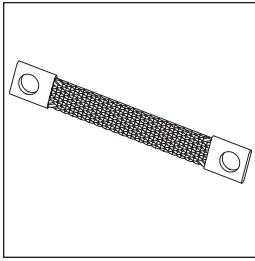
Custom dimensions also available.

## STIFFENER BAR (TOP or BOTTOM RUNG)

ST-SB30 (12")  
ST-SB45 (18")  
ST-SB60 (24")  
ST-SB75 (30")  
ST-SB90 (36")



# ACCESSORIES

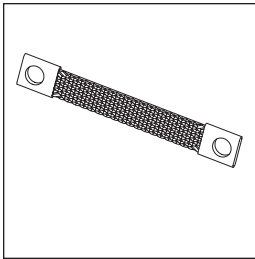


## ST-GC(Length)

Tin plated copper ground cable.  
Specify length of cable – 30 / 45 / 60  
Custom dimensions also available.

## GROUND CABLE – COPPER

ST-GC30 (12")  
ST-GC45 (18")  
ST-GC60 (24")

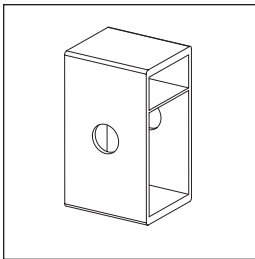


## ST-GA(Length)

Aluminum Ground Cable.  
Specify length of cable – 30 / 45 / 60  
Custom dimensions also available.

## GROUND CABLE – ALUMINUM

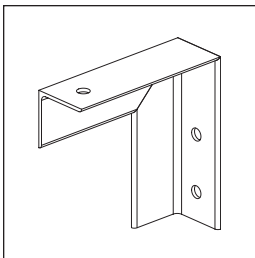
ST-GA30 (12")  
ST-GA45 (18")  
ST-GA60 (24")



## ST-WS

Three spacers are automatically included with each length of WALL MOUNT Spydertray. They are also available for order separately.

## WALL SPACER

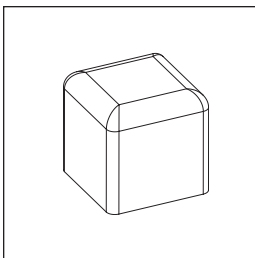


## ST-WB(Width)

Wall Brackets are used as an alternative to suspended installations where necessary.  
Specify width of tray run – 15 / 22 / 30 / 45 / 60

## WALL BRACKET

ST-WB15 (6")  
ST-WB22 (9")  
ST-WB30 (12")  
ST-WB45 (18")  
ST-WB60 (24")

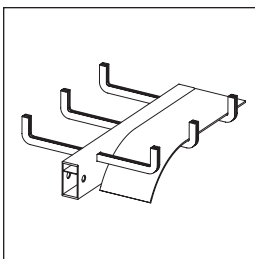


## ST-RC-(COLOR)

Plastic End Caps used to colour code spydertray runs. These plastic caps are field installed for easy on the spot colour identification of wire runs.

## PLASTIC RUNG CAPS

Specify colour of rung cap – blue, red, orange or black



## ST-DO (Width)

Permits cable drop outs over a rounded radius to prevent damage to cables.  
Specify width of tray run – 15 / 22 / 30 / 45 / 60

## CABLE DROP OUT

ST-DO15 (6")  
ST-DO22 (9")  
ST-DO30 (12")  
ST-DO45 (18")  
ST-DO60 (24")

**COPE**

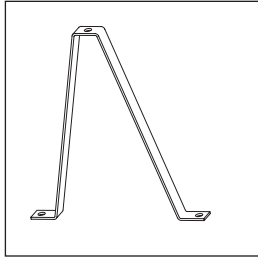


SPYDERTRAY



**SPYDERLOK**

# ACCESSORIES



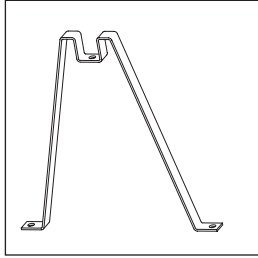
**ST-FF(Height)**

Easy floor installation of Spydertray with these mounting accessories.

Specify height of floor stand required.

## **FLOOR STAND – FLAT TOP (TOP or BOTTOM RUNG)**

ST-FF15 (6")  
ST-FF22 (9")  
ST-FF30 (12")  
ST-FF45 (18")  
ST-FF60 (24")



**ST-FN(Height)**

Easy floor installation of Spydertray with these mounting accessories. Specify Height required.

Specify height of floor stand required.

Custom dimensions also available.

## **FLOOR STAND – NEST TOP (TOP RUNG ONLY)**

ST-FN15 (6")  
ST-FN22 (9")  
ST-FN30 (12")  
ST-FN45 (18")  
ST-FN60 (24")

**COPE**



SPYDERTRAY



**SPYDERLOK**